

SNWH
SNWS
SNWHB
SNWTH
SNWTBH

FRAME
powder painted
(acc. to Bejot colours)

SCREW
It is used to adjust height

LEG REST (RING)
brushed chrome-nickel steel
(for chairs and tables)



BACKREST
sklejka barwiona wg palety Bejot z nakładką tapicerowaną tkaniną lub skórą. Łącznik ze stali chromowanej.

SEAT
upholstered with fabric or leather; possibility of making ornamental stitches in 6 colours of threads

LEGS
SNWH – SOLID WOOD LEGS (ASH TREE)

FEET
TF - filcowe na twarde podłoże (standard)
TK - plastikowe na miękkie podłoże (opcja)

TOP
25 mm Melamine



SNWT



SNWTH



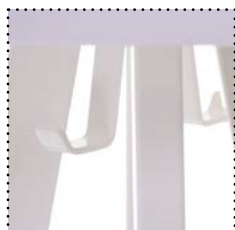
SNWHB



SNWTBH



SNWH



PEG
Pegs fixed under the table top

REGULATIONS



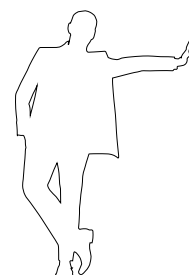
SNWH



SNWTH



SNWHB



SPIN | COLOURS

COLOURS OF WOODEN LEGS



J-1

J-2

J-3*

*J3 – two stages of wood dyeing: preliminary staining and then varnishing (black) limit the occurrence of natural wood colours in case of scratches
/ J1 – semi-matt varnish / J2 – slightly whitened varnish

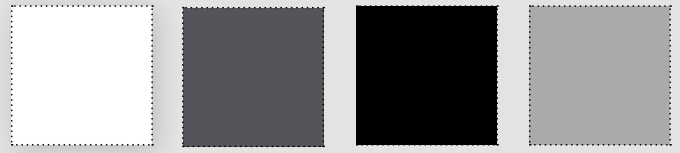
COLOURS OF BACKREST - PLYWOOD



D-1
beech

D-3
birch

COLOURS OF FRAME:

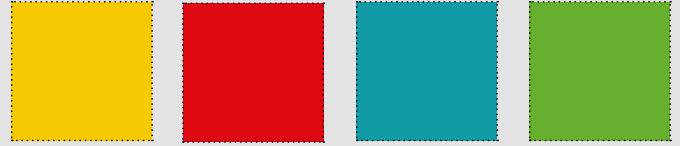


RAL 9010

RAL 7024

RAL 9005

ALU



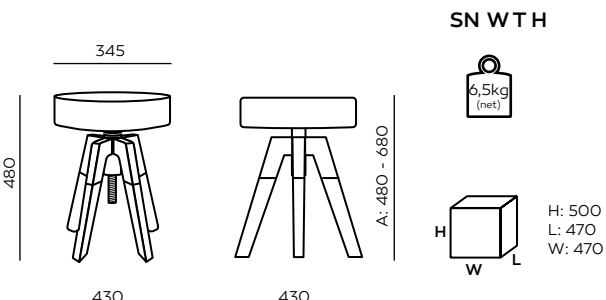
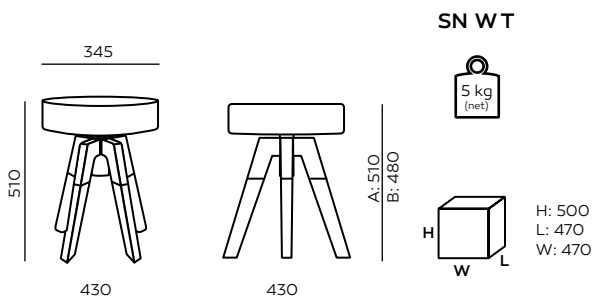
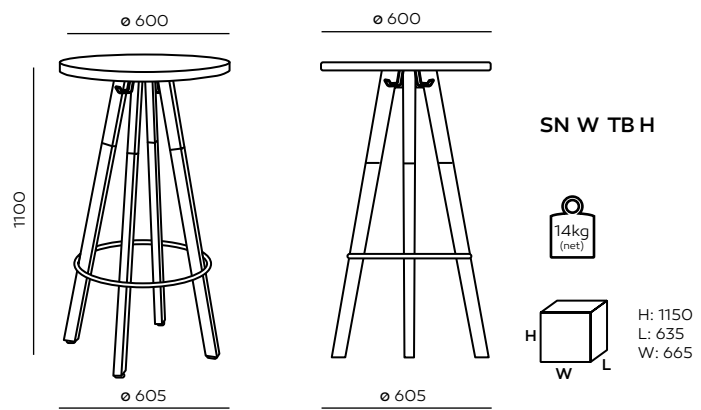
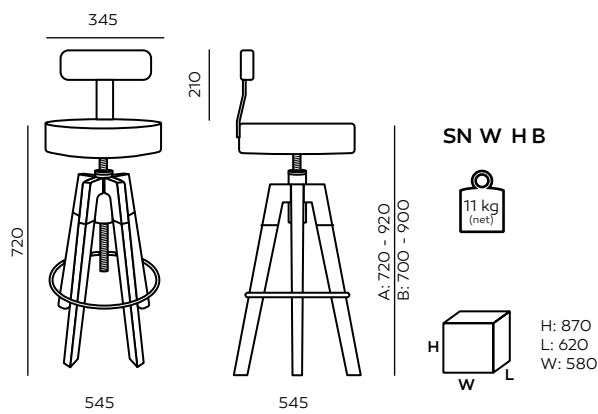
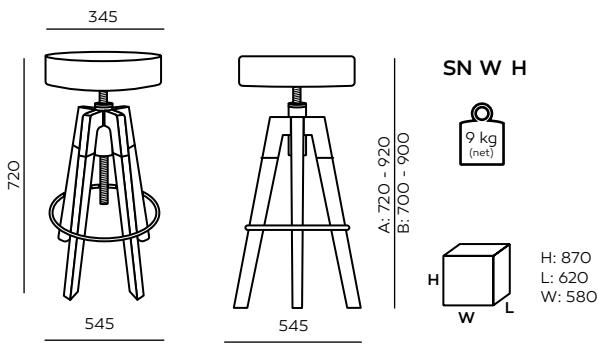
RAL 1023

RAL 3020

RAL 5018

RAL 6018

SPIN | TECHNICAL DATAS



A) seat height: overall dimensions
B) seat height: measurement according to the standard PN EN 1335-1

ALL DETAILS ABOUT THIS PRODUCT ARE AVAILABLE AT WWW.BEJOT.COM.

b 5 years` warranty