



flos FS KP 260

Harmony and comfort

The inspiration for creating this collection was a holistic combination of elements that create a peaceful and harmonious atmosphere, perfect for building good relationships. The Flos furniture collection and multifunctional acoustic screens were designed with the idea of domesticating work and relaxation spaces.

Conference chairs

The Flos chair collection offers a wide range of applications and a rich selection of bases: metal, wooden, on wheels, or stools. Two equally comfortable types of seats - with or without armrests - respond to the refined needs of today's work environment. By complementing the soft bucket shape with wheeled bases, Flos chairs are also perfect for home workspaces.

Tomasz Augustyni

is a renowned designer and interior architect, a graduate of the Academy of Fine Arts in Poznan. He is the author of numerous collections of office and home furniture for major Polish brands.



FS KP 260 / Technical data

Standard Option

Base

Powder painted (colors according to the Bejot sampler book)

Castors

Hard castors for soft floors Ø 65 with auto-brake **DEMA**

Soft castors for hard floors Ø 65 with auto-brake **DEMAD**

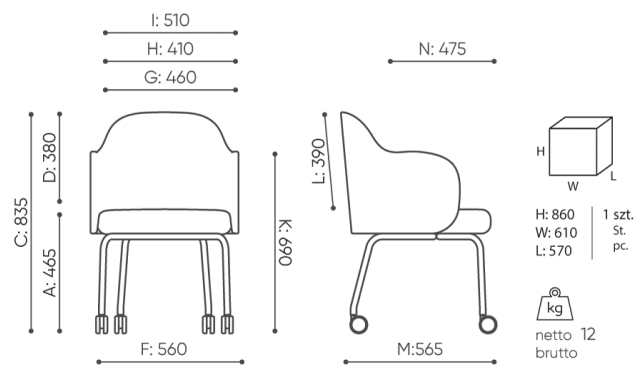
Universal castors without brake function, color white

RL W4 ○

FS KP 260 / Dimensions

Dimensions are approximate and may vary depending on the selected product configuration. The requirements of the standard are always met.

seat height: overall dimensions	A
seat height: measured according to the norm PN EN 1335 - 1	B
chair height	C
backrest height	D
headrest height	E
dimensional width chair / ø base	F
seat width	G
backrest width	H
width between armrests	I
height from the floor to the armrest	K
backrest length	L
dimensional chair depth	M
seat depth / seat length	N



FS KP 260

