



fendo **FD 215 2M**

Ascetic line

The Fendo is a wide range of the models and colours, light and modern form as well as precision workmanship. The ascetic, prominent straight line of the bucket fits perfectly with the modern office space.

Stacking has never been so easy

Stacking the chairs has never been so easy, and thanks to its construction the Fendo allows for stacking on a truck even up to 30 pieces. This will enable you to simply store and dispose the chairs whenever you need them.

FD 215 2M / Technical data

Standard

Option

Base	CODE	
Chromed		<input checked="" type="radio"/>
Powder painted (colors according to Bejot pattern book)		<input type="radio"/>
Backrest	CODE	
Black mesh CLASSIC (black frame)	M08	<input checked="" type="radio"/>
Light grey mesh CLASSIC (black frame)	M09	<input type="radio"/>
Feet	CODE	
Feet for ceramic floors, concrete, carpets	CK	<input checked="" type="radio"/>
Felt feet for wooden floors, panels	CF	<input type="radio"/>

FD 215 2M / Technical data

Code names marks	CODE
Whole plastic	1N
Seat: upholstered / backrest: plastic	2N
Upholstered seat and backrest	4N

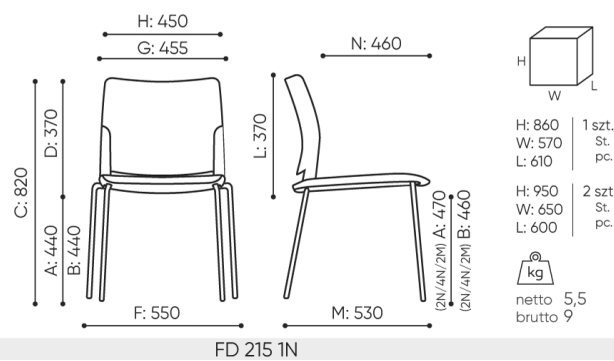
Upholstered seat / backrest black frame + mesh

2M

FD 215 2M / Dimensions

Dimensions are approximate and may vary depending on the selected product configuration. The requirements of the standard are always met.

seat height: overall dimensions	A
seat height: measured according to the norm PN EN 1335 - 1	B
chair height	C
backrest height	D
headrest height	E
dimensional width chair / ø base	F
seat width	G
backrest width	H
width between armrests	I
height from the floor to the armrest	K
backrest lenght	L
dimensional chair depth	M
seat depth / seat lenght	N





fendo **FD 215 N**

Ascetic line

The Fendo is a wide range of the models and colours, light and modern form as well as precision workmanship. The ascetic, prominent straight line of the bucket fits perfectly with the modern office space.

Stacking has never been so easy

Stacking the chairs has never been so easy, and thanks to its construction the Fendo allows for stacking on a truck even up to 30 pieces. This will enable you to simply store and dispose the chairs whenever you need them.

FD 215 N / Technical data

Standard

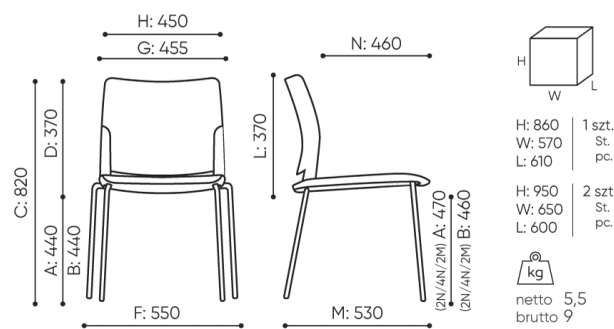
Option

Base	CODE	
Chromed		<input checked="" type="radio"/>
Powder painted (colors according to Bejot pattern book)		<input type="radio"/>
Feet	CODE	
Feet for ceramic floors, concrete, carpets	CK	<input checked="" type="radio"/>
Felt feet for wooden floors, panels	CF	<input type="radio"/>
Code names marks	CODE	
Whole plastic	1N	
Seat: upholstered / backrest: plastic	2N	
Upholstered seat and backrest	4N	
Upholstered seat / backrest black frame + mesh	2M	

FD 215 N / Dimensions

Dimensions are approximate and may vary depending on the selected product configuration. The requirements of the standard are always met.

seat height: overall dimensions	A
seat height: measured according to the norm PN EN 1335 - 1	B
chair height	C
backrest height	D
headrest height	E
dimensional width chair / ø base	F
seat width	G
backrest width	H
width between armrests	I
height from the floor to the armrest	K
backrest lenght	L
dimensional chair depth	M
seat depth / seat lenght	N



H: 860
W: 570
L: 610

1 szt.
St.
pc.

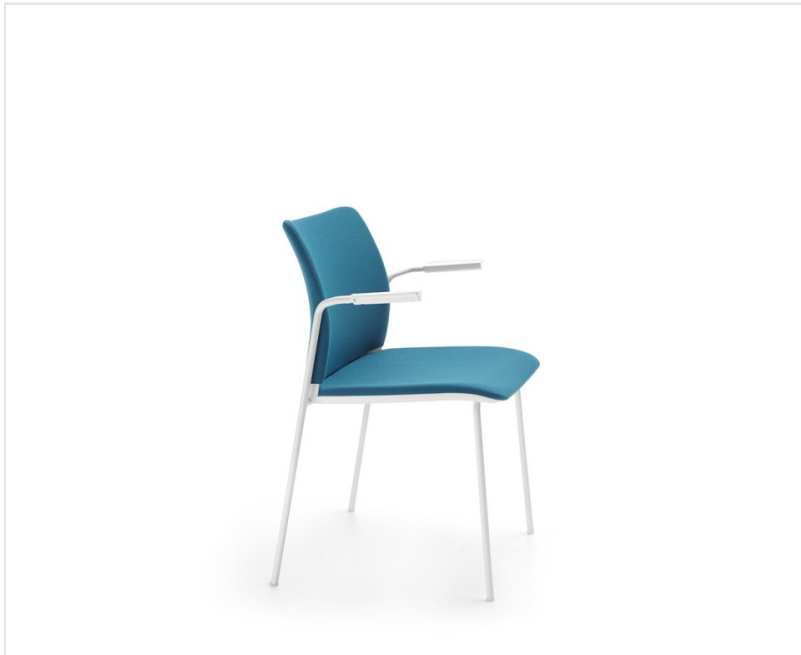
H: 950
W: 650
L: 600

2 szt.
St.
pc.



netto 5,5
brutto 9

FD 215 1N



fendo **FD 220 N**

Ascetic line

The Fendo is a wide range of the models and colours, light and modern form as well as precision workmanship. The ascetic, prominent straight line of the bucket fits perfectly with the modern office space.

Stacking has never been so easy

Stacking the chairs has never been so easy, and thanks to its construction the Fendo allows for stacking on a truck even up to 30 pieces. This will enable you to simply store and dispose the chairs whenever you need them.

FD 220 N / Technical data

Standard Option

Base	CODE
Chromed	<input checked="" type="radio"/>
Powder painted (colors according to Bejot pattern book)	<input type="radio"/>
Armrests	CODE
Plastic armrests - seat / backrest color	<input checked="" type="radio"/>
Feet	CODE
Feet for ceramic floors, concrete, carpets	CK <input checked="" type="radio"/>
Felt feet for wooden floors, panels	CF <input type="radio"/>

FD 220 N / Technical data

Code names marks	CODE
Whole plastic	1N
Seat: upholstered / backrest: plastic	2N
Upholstered seat and backrest	4N

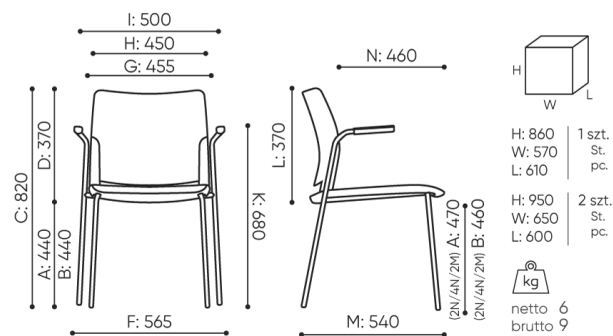
Upholstered seat / backrest black frame + mesh

2M

FD 220 N / Dimensions

Dimensions are approximate and may vary depending on the selected product configuration. The requirements of the standard are always met.

seat height: overall dimensions	A
seat height: measured according to the norm PN EN 1335 - 1	B
chair height	C
backrest height	D
headrest height	E
dimensional width chair / ø base	F
seat width	G
backrest width	H
width between armrests	I
height from the floor to the armrest	K
backrest lenght	L
dimensional chair depth	M
seat depth / seat lenght	N



FD 220 1N



fendo FD 220 2M

Ascetic line

The Fendo is a wide range of the models and colours, light and modern form as well as precision workmanship. The ascetic, prominent straight line of the bucket fits perfectly with the modern office space.

Stacking has never been so easy

Stacking the chairs has never been so easy, and thanks to its construction the Fendo allows for stacking on a truck even up to 30 pieces. This will enable you to simply store and dispose the chairs whenever you need them.

FD 220 2M / Technical data

Standard

Option

Base	CODE
Chromed	<input checked="" type="radio"/>
Powder painted (colors according to Bejot pattern book)	<input type="radio"/>
Backrest	CODE
Black mesh CLASSIC (black frame)	M08 <input checked="" type="radio"/>
Light grey mesh CLASSIC (black frame)	M09 <input type="radio"/>
Armrests	
Plastic armrests - seat / backrest color for 1N / 2N / 4N version	<input checked="" type="radio"/>
Plastic armrests - black for the 2M version	<input checked="" type="radio"/>

FD 220 2M / Technical data

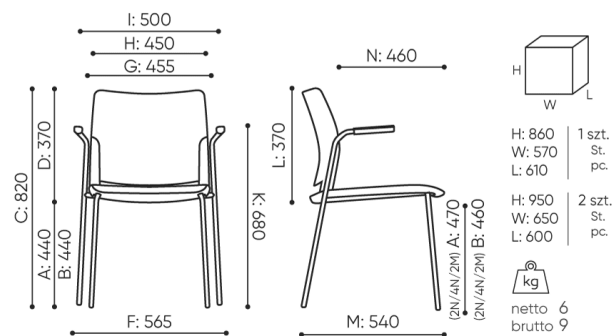
Feet	CODE
Feet for ceramic floors, concrete, carpets	CK <input checked="" type="radio"/>
Felt feet for wooden floors, panels	CF <input type="radio"/>
Code names marks	CODE

Whole plastic	1N
Seat: upholstered / backrest: plastic	2N
Upholstered seat and backrest	4N
Upholstered seat / backrest black frame + mesh	2M

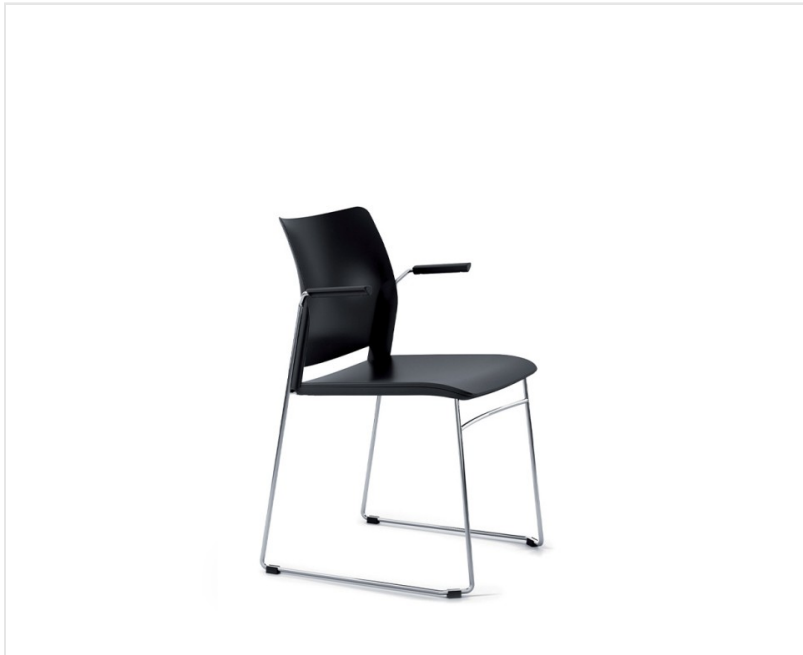
FD 220 2M / Dimensions

Dimensions are approximate and may vary depending on the selected product configuration. The requirements of the standard are always met.

seat height: overall dimensions	A
seat height: measured according to the norm PN EN 1335 - 1	B
chair height	C
backrest height	D
headrest height	E
dimensional width chair / ø base	F
seat width	G
backrest width	H
width between armrests	I
height from the floor to the armrest	K
backrest lenght	L
dimensional chair depth	M
seat depth / seat lenght	N



FD 220 1N



fendo **FD 270 N**

Ascetic line

The Fendo is a wide range of the models and colours, light and modern form as well as precision workmanship. The ascetic, prominent straight line of the bucket fits perfectly with the modern office space.

Stacking has never been so easy

Stacking the chairs has never been so easy, and thanks to its construction the Fendo allows for stacking on a truck even up to 30 pieces. This will enable you to simply store and dispose the chairs whenever you need them.

FD 270 N / Technical data

Standard

Option

Base	CODE
Chromed (only chairs, an option not available to a trolley FD TR)	<input checked="" type="radio"/>
Powder painted (colors according to Bejot pattern book)	<input type="radio"/>
Armrests	CODE
Plastic armrests - seat / backrest color	<input checked="" type="radio"/>
Slides	CODE
Glides for ceramic floors, concrete, carpets	<input checked="" type="radio"/>
Additional equipment	CODE
Chair connector in rows allowing the numbering of rows	LN <input type="radio"/>

FD 270 N / Technical data

Code names marks	CODE
Whole plastic	1N
Seat: upholstered / backrest: plastic	2N

Upholstered seat and backrest

4N

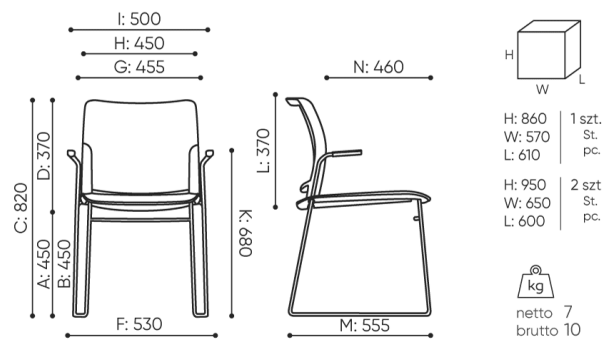
Upholstered seat / backrest black frame + mesh

2M

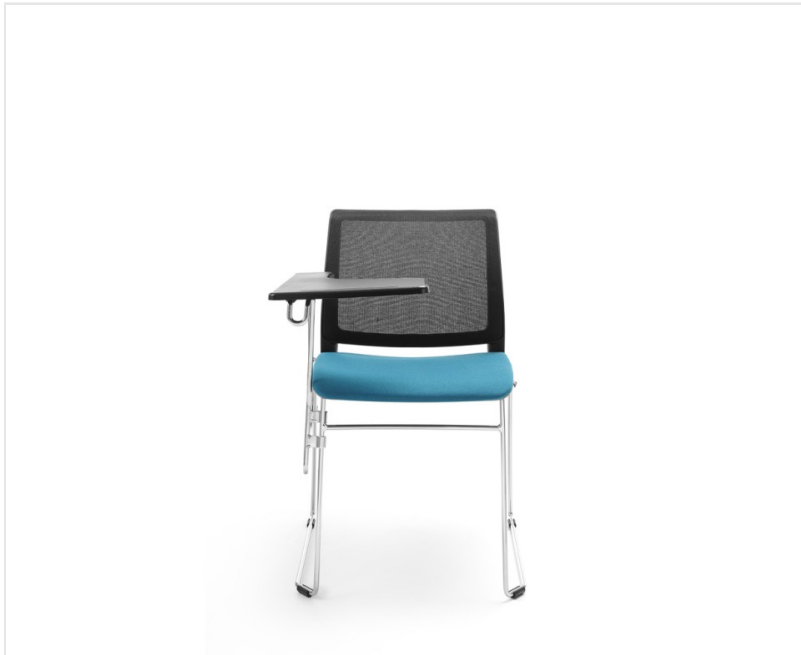
FD 270 N / Dimensions

Dimensions are approximate and may vary depending on the selected product configuration. The requirements of the standard are always met.

seat height: overall dimensions	A
seat height: measured according to the norm PN EN 1335 - 1	B
chair height	C
backrest height	D
headrest height	E
dimensional width chair / ø base	F
seat width	G
backrest width	H
width between armrests	I
height from the floor to the armrest	K
backrest lenght	L
dimensional chair depth	M
seat depth / seat lenght	N



FD 270 1N



fendo FD 271 2M

Ascetic line

The Fendo is a wide range of the models and colours, light and modern form as well as precision workmanship. The ascetic, prominent straight line of the bucket fits perfectly with the modern office space.

Stacking has never been so easy

Stacking the chairs has never been so easy, and thanks to its construction the Fendo allows for stacking on a truck even up to 30 pieces. This will enable you to simply store and dispose the chairs whenever you need them.

FD 271 2M / Technical data

Standard

Option

Base	CODE
Chromed	<input checked="" type="radio"/>
Powder painted (colors according to Bejot pattern book)	<input type="radio"/>
Backrest	CODE
Black mesh CLASSIC (black frame)	M08 <input checked="" type="radio"/>
Light grey mesh CLASSIC (black frame)	M09 <input type="radio"/>
Slides	CODE
Glides for ceramic floors, concrete, carpets	CK <input checked="" type="radio"/>
Additional equipment	CODE
Chair connector in rows allowing the numbering of rows	LN <input type="radio"/>
Right writing desk, black + chromed base (chairs with a writing tablet can not be stacked)	P

FD 271 2M / Technical data

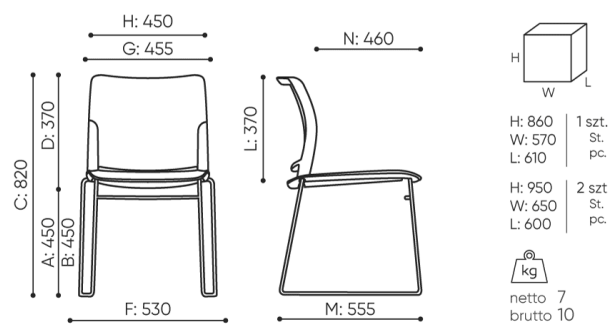
Code names marks	CODE
-------------------------	-------------

Whole plastic	1N
Seat: upholstered / backrest: plastic	2N
Upholstered seat and backrest	4N
Upholstered seat / backrest black frame + mesh	2M

FD 271 2M / Dimensions

Dimensions are approximate and may vary depending on the selected product configuration. The requirements of the standard are always met.

seat height: overall dimensions	A
seat height: measured according to the norm PN EN 1335 - 1	B
chair height	C
backrest height	D
headrest height	E
dimensional width chair / ø base	F
seat width	G
backrest width	H
width between armrests	I
height from the floor to the armrest	K
backrest lenght	L
dimensional chair depth	M
seat depth / seat lenght	N



FD 271 1N



fendo FD 271 N

Ascetic line

The Fendo is a wide range of the models and colours, light and modern form as well as precision workmanship. The ascetic, prominent straight line of the bucket fits perfectly with the modern office space.

Stacking has never been so easy

Stacking the chairs has never been so easy, and thanks to its construction the Fendo allows for stacking on a truck even up to 30 pieces. This will enable you to simply store and dispose the chairs whenever you need them.

FD 271 N / Technical data

Standard

Option

Base	CODE
Chromed	<input checked="" type="radio"/>
Powder painted (colors according to Bejot pattern book)	<input type="radio"/>
Armrests	CODE
Plastic armrests - seat / backrest color	<input checked="" type="radio"/>
Slides	CODE
Glides for ceramic floors, concrete, carpets	CK <input checked="" type="radio"/>
Additional equipment	CODE
Chair connector in rows allowing the numbering of rows	LN <input type="radio"/>
Right writing desk, black + chromed base (chairs with a writing tablet can not be stacked)	P

FD 271 N / Technical data

Code names marks	CODE
Whole plastic	1N

Seat: upholstered / backrest: plastic

2N

Upholstered seat and backrest

4N

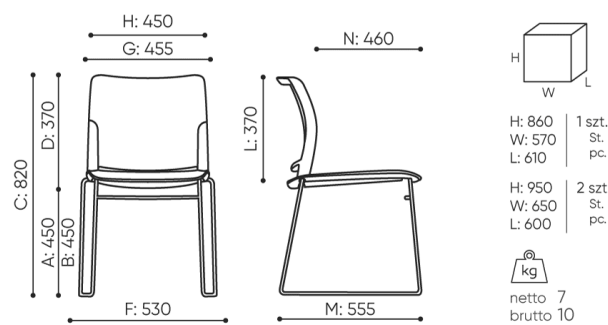
Upholstered seat / backrest black frame + mesh

2M

FD 271 N / Dimensions

Dimensions are approximate and may vary depending on the selected product configuration. The requirements of the standard are always met.

seat height: overall dimensions	A
seat height: measured according to the norm PN EN 1335 - 1	B
chair height	C
backrest height	D
headrest height	E
dimensional width chair / ø base	F
seat width	G
backrest width	H
width between armrests	I
height from the floor to the armrest	K
backrest lenght	L
dimensional chair depth	M
seat depth / seat lenght	N



FD 271 1N



fendo FD 270 2M

Ascetic line

The Fendo is a wide range of the models and colours, light and modern form as well as precision workmanship. The ascetic, prominent straight line of the bucket fits perfectly with the modern office space.

Stacking has never been so easy

Stacking the chairs has never been so easy, and thanks to its construction the Fendo allows for stacking on a truck even up to 30 pieces. This will enable you to simply store and dispose the chairs whenever you need them.

FD 270 2M / Technical data

Standard

Option

Base	CODE
Chromed	<input checked="" type="radio"/>
Powder painted (colors according to Bejot pattern book)	<input type="radio"/>
Backrest	CODE
Black mesh CLASSIC (black frame)	M08 <input checked="" type="radio"/>
Light grey mesh CLASSIC (black frame)	M09 <input type="radio"/>
Armrests	
Plastic armrests - seat / backrest color for 1N / 2N / 4N version	<input checked="" type="radio"/>
Plastic armrests - black for the 2M version	<input checked="" type="radio"/>

FD 270 2M / Technical data

Slides	CODE
Glides for ceramic floors, concrete, carpets	<input checked="" type="radio"/>
Additional equipment	CODE

Chair connector in rows allowing the numbering of rows

LN ○

Code names marks

CODE

Whole plastic

1N

Seat: upholstered / backrest: plastic

2N

Upholstered seat and backrest

4N

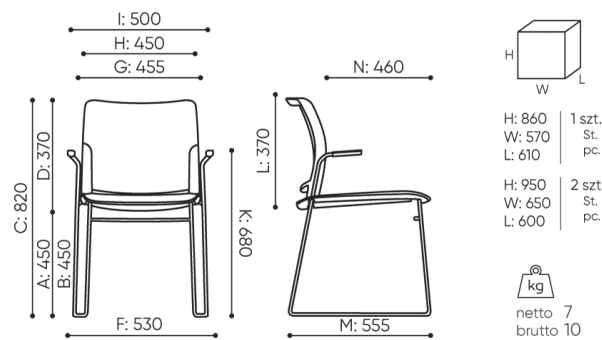
Upholstered seat / backrest black frame + mesh

2M

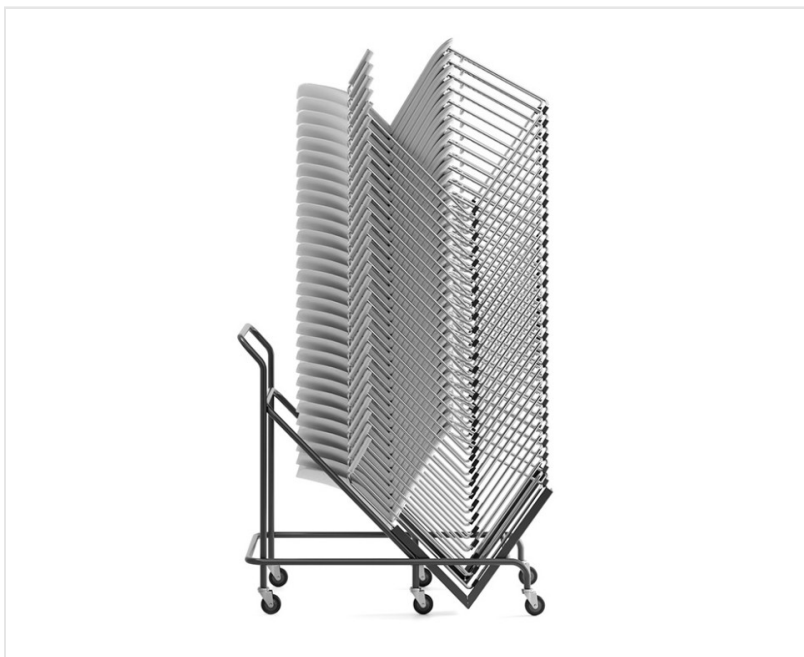
FD 270 2M / Dimensions

Dimensions are approximate and may vary depending on the selected product configuration. The requirements of the standard are always met.

seat height: overall dimensions	A
seat height: measured according to the norm PN EN 1335 - 1	B
chair height	C
backrest height	D
headrest height	E
dimensional width chair / ø base	F
seat width	G
backrest width	H
width between armrests	I
height from the floor to the armrest	K
backrest lenght	L
dimensional chair depth	M
seat depth / seat lenght	N



FD 270 1N



fendo FD TR

Ascetic line

The Fendo is a wide range of the models and colours, light and modern form as well as precision workmanship. The ascetic, prominent straight line of the bucket fits perfectly with the modern office space.

Stacking has never been so easy

Stacking the chairs has never been so easy, and thanks to its construction the Fendo allows for stacking on a truck even up to 30 pieces. This will enable you to simply store and dispose the chairs whenever you need them.